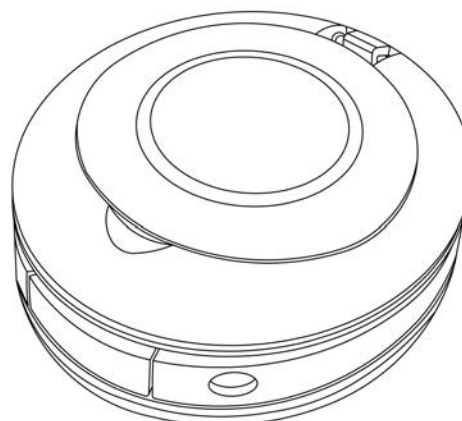


# CARSON<sup>®</sup>

## DESKBRITE™ MINI

LM-10

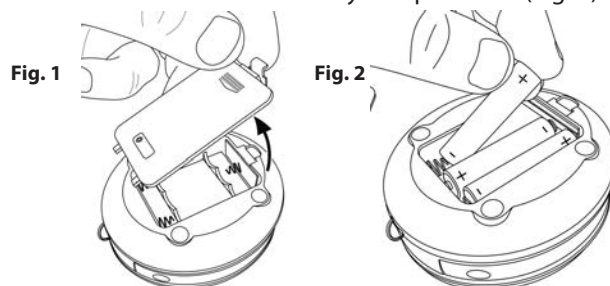
3x LED LIGHTED MAGNIFIER AND DESK LAMP



### Instructions for use:

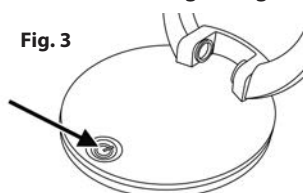
#### Installing Batteries

Open the battery door located on the bottom of the unit (Fig. 1). Insert 3 fresh AAA batteries (not included) according to polarity indicators marked inside battery compartment (Fig. 2). Snap battery door closed when complete.



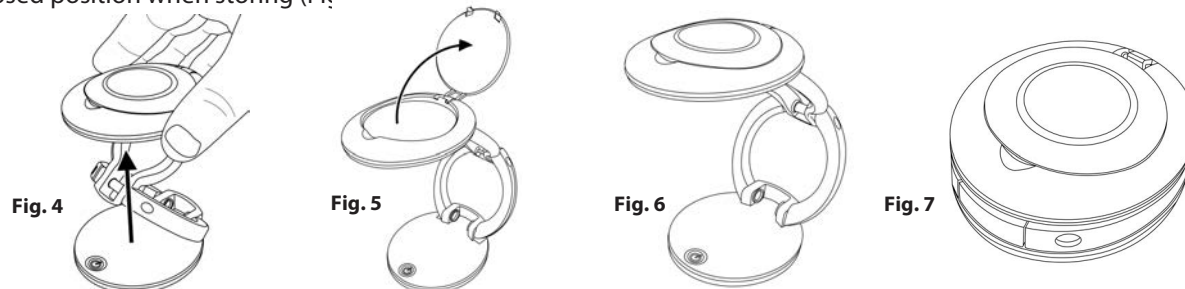
#### To Activate LED Light

Press button on top of magnifier base to turn on LED light (Fig. 3). Turn light off when not in use.



#### To Use Hands Free

Lift the top half straight up until the unit stands on its own (Fig. 4). Open lens cover and position lens as desired (Fig. 5). To use as desk lamp, keep lens cover closed (Fig. 6). Turn light off and return magnifier to closed position when storing (Fig. 7).



**Warning:** Use only alkaline batteries. Mixing old and new, different brands or types within brands may cause batteries to leak, overheat or explode. Keep away from fire or excessive heat. Inspect batteries for corrosion or leakage. Insert in direction indicated. Rechargeable batteries not recommended.

#### Cleaning Your Magnifier

Clean lens with a soft, clean microfiber cloth by rubbing gently in a circular motion. Moisten the lens cloth with water if needed. Do not use harsh chemicals, solvents or abrasives as they may damage the lens.

#### Customer Service:

If you experience any difficulties, please contact us and we will be happy to help you.

**In the U.S.A.**  
Phone: 1-631-963-5000  
Email: info@carson.com

**In the U.K.**  
Phone: +44 (0) 1938 557440  
Email: uksupport@carson.com

**In the E.U.**  
Phone: +44 (0) 1938 557440  
Email: eusupport@carson.com

For warranty information, visit [www.carson.com/warranty](http://www.carson.com/warranty)